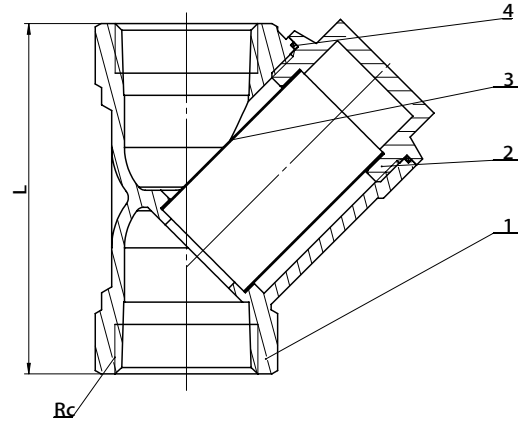


# YS-S-BZ1

## Bronze Y-Strainer



### Technical References

Connection Type	Threaded
Pipe Threaded Standard	BSPT / NPT (BSPT as standard)
Pressure Rating	20 bar / 290 PSI
Working Temperature	-20 °C ≤ T ≤ 180°C
Working Medium	Water, Non-corrosive liquid, Saturated Steam

### Materials

No.	Parts	Material
1	Body	Bronze
2	Bonnet	Bronze
3	Filter*	SS304
4	Washer	PTFE

\*The hole diameter on the mesh is 1.0mm 18 mesh

### Dimensions (mm)

Valve Size DN	L
15	55.4
20	65
25	78
32	85
40	99
50	118