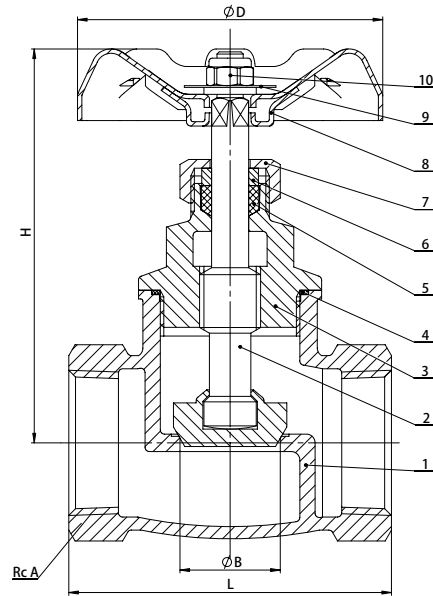
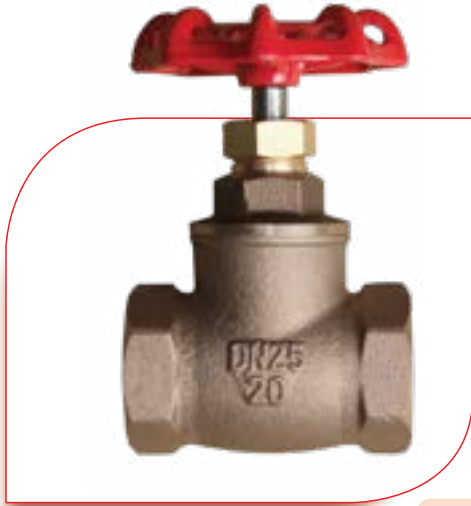


GLV-S-BZ1

Bronze Globe Valve (Rising Stem)



Technical References

Connection Type	Threaded
Pipe Threaded Standard	BSPT / NPT (BSPT as standard)
Pressure Rating	20 bar / 290 PSI
Working Temperature	-20°C ≤ T ≤ 180°C
Working Medium	Water, Non-corrosive liquid, Saturated Steam

Materials

No.	Parts	Material
1	Body	Bronze
2	Disc Stem	Bronze
3	Bonnet	Bronze
4	Gasket	PTFE
5	Stem Seal	PTFE
6	Gland	DZR Brass
7	Gland Nut	DZR Brass
8	Hand Wheel	Cast Iron
9	Nameplate	Aluminium
10	Nut M6	Stainless Steel

Dimensions (mm)

Valve Size DN	L	B	H	D
15	48	10	64	55
20	54	13	70	60
25	64	18	79	72
32	73	23	91	72
40	80	30	105	80
50	100	38	123	100