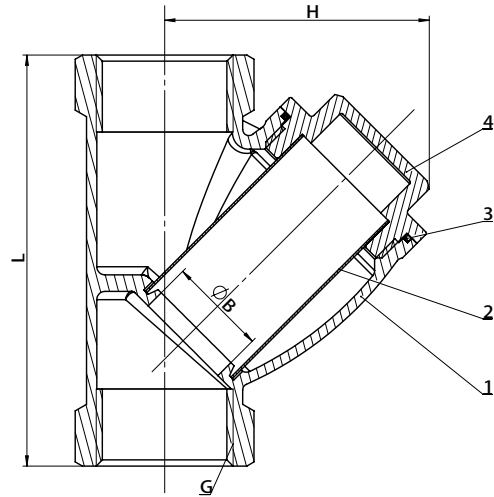
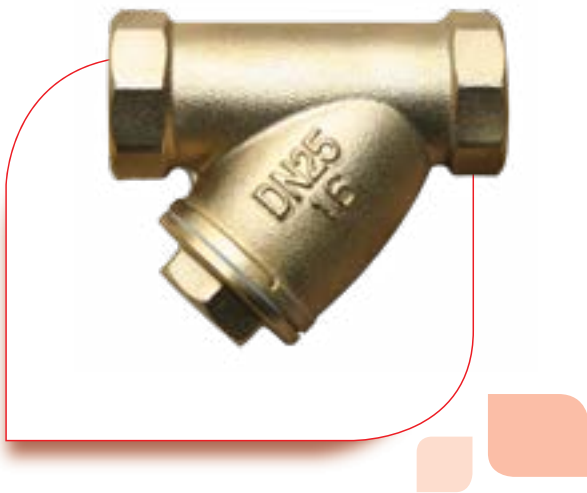


YS-S-BR

Brass Y-Strainer



Technical References

Connection Type	Threaded
Pipe Threaded Standard	BSPT / NPT (BSPT as standard)
Pressure Rating	16 bar / 232 PSI
Working Temperature	-20°C ≤ T ≤ 150°C
Working Medium	Water, Non-corrosive liquid, Saturated Steam

Materials

No.	Parts	Material
1	Body	Brass
2	Filter*	SS304
3	Washer	PTFE
4	Bonnet	Brass

*The hole diameter on the mesh is 1.0mm 18 mesh

Dimensions (mm)

Size DN	B	H	L
15	13.5	47	70
20	18	51	84
25	24	65	100
32	30	77.2	117
40	37	91	137
50	48.5	112	170
65	61	135.4	205
80	73	148.5	220
100	97	184.6	265