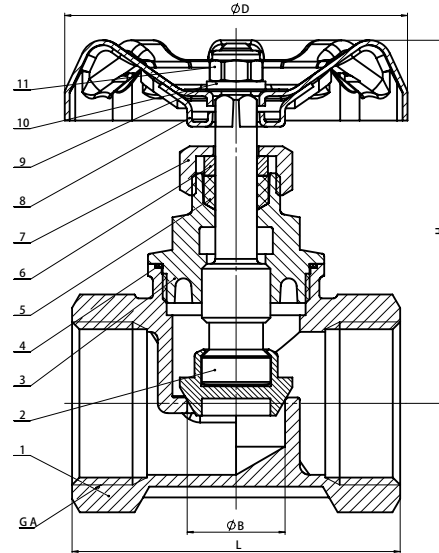


GLV-S-BR

Brass Globe Valve (Rising Stem)



Technical References

Connection Type	Threaded
Pipe Threaded Standard	BSPT / NPT (BSPT as standard)
Pressure Rating	16 bar / 232 PSI
Working Temperature	-20°C ≤ T ≤ 150°C
Working Medium	Water, Non-corrosive liquid, Saturated Steam

Materials

No.	Parts	Material
1	Body	Brass
2	Disc Stem	Brass
3	Bonnet	Brass
4	Gasket	PTFE
5	Stem Seal	PTFE
6	Gland	Brass
7	Gland Nut	Brass
8	Hand Wheel	Cast Iron
9	Washer	Stainless Steel
10	Nameplate	Aluminium
11	Nut M6	Stainless Steel

Dimensions (mm)

Size DN	B	D	H	L
15	12	60	60	46
20	16	60	66.5	54
25	20	70	73.5	67
32	27	80	89.5	77
40	34	80	100	86
50	43	105	118	104