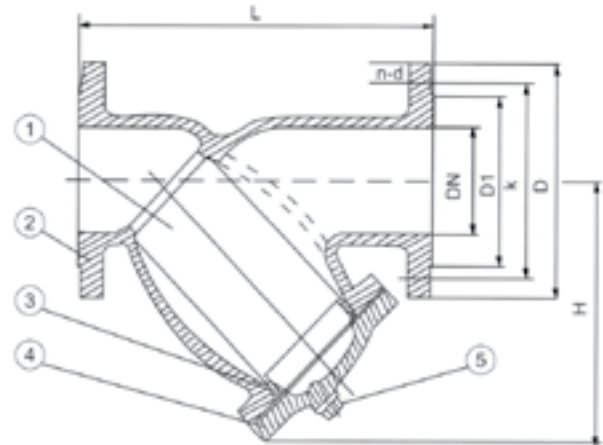


YS-F-PN25

Cast Iron Y-Strainer (PN25)



Technical References

Valve Type	Y-Pattern
Connection Type	Flanged
Flanged Standard	DIN 2501, BS4504 PN25
Face to Face Standard	DIN 3202, F1
Pressure Rating	25 bar/ 363 PSI
Working Temperature	≤ 120°C
Working Medium	Water, Oil, Gas

* Flange standard ANSI CLASS 125/150 is available upon request.

Materials

NO	Part	Standard Material	Optional Material
1	Screen*	Stainless Steel	-
2	Body	Cast Steel	Ductile Iron
3	Gasket	Rubber	Graphite
4	Cover	Cast Steel	Ductile Iron
5	Plug	Cast Steel	Ductile Iron Steel

* The hole diameter on the perforated screen is 3mm. Opening area is approximately 45%

Dimensions (mm)

Size (DN)	L	H	D	K	D1	n-d
40	200	105	150	110	88	4 - 19
50	230	170	165	125	102	4 - 19
65	290	205	185	145	122	8 - 19
80	310	210	200	160	138	8 - 19
100	350	235	235	190	162	8 - 23
125	400	270	270	220	188	8 - 26
150	480	310	300	250	218	8 - 26
200	600	390	360	310	278	12 - 26
250	730	430	425	370	335	12 - 30
300	850	500	485	430	395	16 - 30
350	980	670	555	490	450	16 - 33
400	1100	780	620	550	565	20 - 36