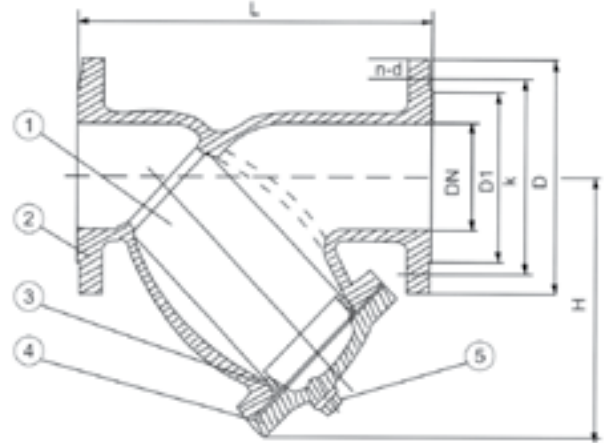


YS-F-PN16

Cast Iron Y-Strainer (PN16)



Technical References

Valve Type	Y-Pattern
Connection Type	Flanged
Flanged Standard	DIN 2501, BS4504 PN16
Face to Face Standard	DIN 3202, F1
Pressure Rating	16 bar/ 232 PSI
Working Temperature	≤ 120°C
Working Medium	Water, Oil, Gas

* Flange standard ANSI CLASS 125/150 is available upon request.

Materials

NO	Part	Standard Material	Optional Material
1	Screen*	Stainless Steel	-
2	Body	Cast Iron	Ductile Iron
3	Gasket	Rubber	Graphite
4	Cover	Cast Iron	Ductile Iron
5	Plug	Cast Iron	Ductile Iron Steel

* The hole diameter on the perforated screen is 3mm. Opening area is approximately 45%

Dimensions (mm)

Size (DN)	L	H	D	K	D1	n-d
40	200	105	150	110	88	4 - 19
50	230	170	165	125	102	4 - 19
65	290	205	185	145	122	8 - 19
80	310	210	200	160	138	8 - 19
100	350	235	220	180	158	8 - 19
125	400	270	250	210	188	8 - 23
150	480	310	285	240	212	8 - 23
200	600	390	340	295	268	12 - 23
250	730	430	405	355	320	12 - 28
300	850	500	460	410	378	12 - 28
350	980	670	520	470	438	16 - 28
400	1100	780	580	525	490	16 - 31