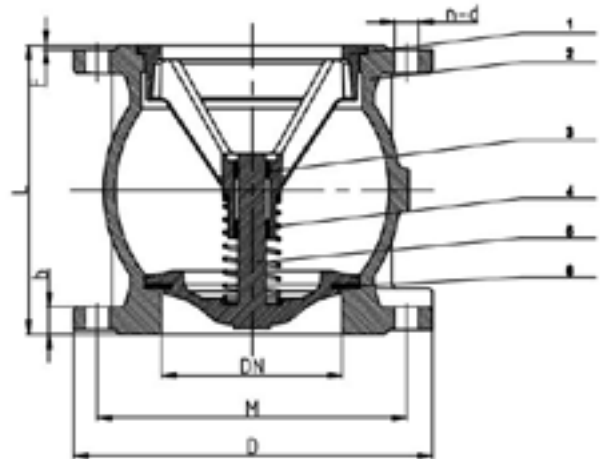


# CV-F-SL-PN25

Cast Iron Silent Check Valve (PN25)



## Technical References

Valve Type	Silent (Non-slam)
Connection Type	Flanged
Valve Design Standard	EN 12334
Flange Standard	EN 1092-2
Inspection and Testing Standard	EN 12266-1
Pressure Rating	25 bar / 363 PSI
Sealing Pressure	27.5 bar/ 399 PSI
Strength Pressure	37.5 bar/ 544 PSI
Working Temperature	NBR: -10 ~ +80°C EPDM: -10 ~ +120°C
Working Medium	Water, Oil, Gas

## Materials

No.	Part	Material
1	Guide	Ductile Iron
2	Body	Ductile Iron
3	Guiding Stem	Stainless Steel
4	Spring	SS316
5	Disc	Ductile Iron
6	Seal	NBR/EPDM

## Dimensions (mm)

Size DN	L	D	M	b	F	n-d
50	100	165	125	19	3	4-19
65	120	185	145	19	3	8-19
80	140	200	160	19	3	8-19
100	170	235	190	19	3	8-23
125	200	270	220	19	3	8-28
150	230	300	250	20	3	8-28
200	300	360	310	22	3	12-28
250	370	425	370	24.5	3	12-31
300	410	485	430	27.5	4	16-31