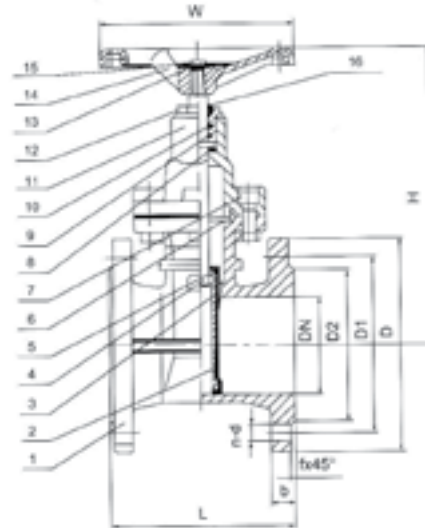


GV-R-F-PN16

Resilient Seated Gate Valve (PN16)



Technical References

Valve Type	Non-Rising Stem
Connection Type	Flanged
Design and Manufactured Standard	DIN3352, BS5163, SABS 664/665
Flanged Standard	DIN2501/BS4504 PN16
Pressure Rating	16 bar / 232 PSI
Working Temperature	NBR ≤ 80°C, EPDM ≤ 120°C
Working Medium	Water and neutral liquid

* Flange standard ANSI CLASS 125/150 is available upon request.

Dimensions (mm)

Size (DN)	L				D	D1	D2	b	f	n-d	H	W
	DIN-3202 F4	DIN-3202 F4	BS-5163	SABS-664								
40	140	240	165	-	150	110	88	19	3	4-18	260	160
50	150	250	178	216	165	125	102	19	3	4-18	270	180
65	170	270	190	-	185	145	122	19	3	4-18	283	180
80	180	280	203	229	200	160	138	19	3	8-18	311	220
100	190	290	229	254	220	180	158	19	3	8-18	352	250
125	200	325	254	-	250	210	188	19	3	8-18	435	280
150	210	350	267	280	285	240	212	19	3	8-18	485	320
200	230	400	292	317	340	295	268	20	3	12-22	520	350
250	250	450	330	356	405	355	320	22	3	12-26	632	400
300	270	500	356	380	460	410	378	24.5	4	12-26	745	400
350	290	550	381	470	520	470	430	26.5	4	16-28	835	500
400	310	600	406	470	580	525	489	28	4	16-31	853	600
450	330	650	432	485	640	585	548	30	4	20-31	1030	630
500	350	700	457	510	715	650	609	31.5	4	20-34	1100	630
600	390	800	508	600	840	770	720	36	5	20-37	1300	630

Materials

No.	Part	Material	DIN Standard	BS Standard
1	Body	Ductile Iron	GGG40	BS2798 420/12
2	Wedge	Ductile Iron	GGG40	BS2798 420/12
3	Wedge	Rubber	EPDM/NBR	-
4	Stem	Stainless Steel	X20Cr13	BS970 420S37
5	Stem Nut	Brass	-	BS2874 CA122
6	Gasket	Rubber	EPDM/NBR	-
7	Screw	Steel	Ck45	BS970 40E
8*	Gasket	Teflon / Brass	-	-
9	O-Ring	Rubber	EPDM/NBR	-
10	O-Ring	Rubber	EPDM/NBR	-
11	Bonnet	Ductile Iron	GGG40	BS2789 420/12
12	Gland	Brass	-	BS2874 CZ122
13	Washer	Steel	Ck45	-
14	Handwheel	Ductile Iron	GGG40	BS2789 420/12
15	Bolt	Steel	Ck45	BS970 40E
16	Anti-Dust Ring	Rubber	NBR	-

* DN40-150 is Teflon or Brass, DN200-600 is Brass